

# DIPOD 3M LIGHT

## THE LIGHT DIPOD ROOFTOP SYSTEM

is a 3 m (10 ft) high fixed rooftop solution designed for installation of small panel antennas, small radio links or other common telecom equipment. This version is optimized for low weight and cost.

## FLEXIBILITY

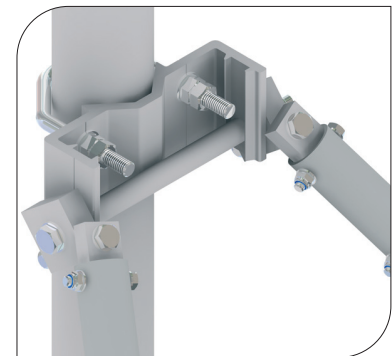
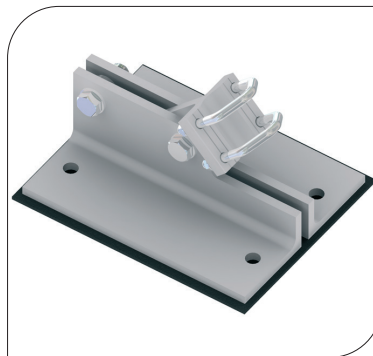
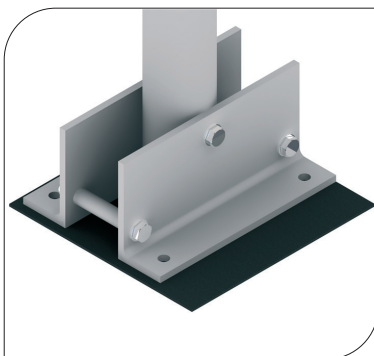
The dipodsystem is a system with the capability of handling all possible roof inclinations. The supports are attached to the roof to ensure a firm anchoring. The antenna mounting tube is supported by two stays to ensure stability.

## QUALITY

The mounting tube and support tubes with brackets are made of anodized aluminium. This gives the system excellent corrosion resistance and a long life. A 3 mm (0,12 in) EPDM rubber sheet is placed under the supports to protect the roof.

## EASY ASSEMBLY

The choice of materials makes the product very light which makes the handling and installation very easy.



## ORDER AND TECHNICAL INFORMATION

DRAWING NO: CD 823174 3M

FUNCTION DESCRIPTION: Fixed mounted roof top, typical for installation of panel antennas, radio links or other common telecom equipment.

### MECHANICAL DATA:

<b>MOUNTING TUBE:</b> Ø75, L = 3000 (Ø3,0 in, L=118 in)	<b>SUPPORT TUBES:</b> Ø40, L = 2600 (Ø1,6 in, L=102 in)	<b>TUBES AND BRACKETS</b> Aluminium, Nature anodized 20µm	<b>U-BOLTS AND FASTENERS:</b> Acid proof stainless steel
--	--	--	---

<b>PACKAGE DIMENSIONS:</b>	<b>LENGTH:</b>	<b>WIDTH:</b>	<b>HEIGHT:</b>	<b>WEIGHT:</b>
<b>PACKAGE 1</b>	460 mm (18,1 in)	150 mm (5,9 in)	180 mm (7 in)	8,2 kg (18 lb)
<b>PACKAGE 2</b>	3000 mm (118 in)	100 mm (3,9 in)	150 mm (5,9 in)	11,8 kg (26 lb)

**NOTE!** Roof attachment bolts are not included.

Quality Design